



TV & Video System
TV/Video - systeem
Système TV/Video
TV und Video - System
Sistema TV/Video
Sistema de TV/Video





RANGE ROVER

TV/Video System

Publication Part No. LRL 0344ENG

© Rover Group Limited 1999

All rights reserved. No part of this publication may be reproduced, stored in a retrieval system or transmitted in any form, electronic, mechanical, recording or other means without prior written permission from Rover Group Limited.



As part of Rover Cars environmental policy, this publication is printed on paper made from chlorine free pulp.

Contents

TV/Video System

	No.
INTRODUCTION.....	1
SWITCHING ON.....	1
TV MONITORS.....	2
TV REMOTE CONTROL.....	3
STORING TV STATIONS	4
OPERATING THE TV	4
VIDEO CASSETTE RECORDER (VCR)	7
HEADPHONES	9
TROUBLE SHOOTING	10
FUSE REPLACEMENT	11
LOW VOLTAGE	11

TV/Video System

INTRODUCTION

The TV/Video System fitted to your vehicle has been chosen to give the occupants a more enjoyable journey.

Ensure that you and your passengers take time to read these instructions.

Portable radios and telephones

When using portable radios and telephones near the unit, picture or sound interference may occur. Do not use these devices near this unit.

SWITCHING ON

IMPORTANT INFORMATION

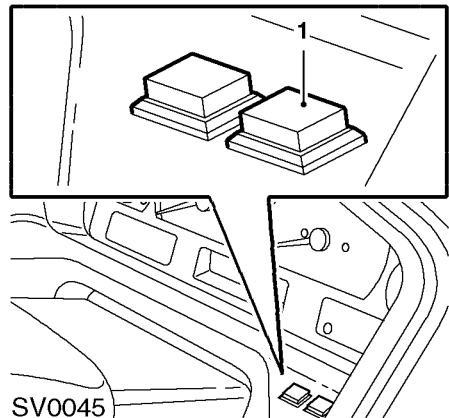
- If your car was parked in direct sunlight resulting in a considerable rise in temperature inside the car, allow the unit to cool off before operating it.
- DO NOT operate video if a 'D' indicating high humidity is showing on the display.

Turn the starter switch to position '1'.

NOTE: It is not advisable to use the TV/Video system for long periods without the engine running in order to avoid a flat battery.

Turn on Audio system and select pre-set no. 6 - tuned to 88.3 FM

NOTE: If your pre-set no. 6 has not been tuned to 88.3 FM you may select any one of the 6 buttons and tune to 88.3 FM.



Switch on TV monitors by pressing the switch (1) situated on the instrument binnacle.

NOTE: If this is the first time you have used the system or have moved to a different transmitter area, you will need to tune in the TV stations - see 'Storing TV stations automatically'.

TV/Video System

TV MONITORS

The TV monitors unlike conventional TV screens are Liquid Crystal Display (LCD) panels allowing for a compact, light weight design. Because of this, the following should be observed:

- Do not press on the monitor unit, this can distort the picture or damage the LCD panel.
- Clean the LCD panel with a slightly damp, soft cloth using a mild household detergent.
- Do not use solvents such as benzene, thinner, commercially available cleaners or antistatic spray.
- Do not use this unit in temperatures under -10°C or over 60°C .
- If your car was parked in a cold or hot place, the picture may not be clear. **The monitor is not damaged.**

The picture will become clear after the temperature in your car becomes normal.

- Some stationary blue or red dots may appear on the monitor. These are called bright spots, and can happen with any LCD.

The LCD panel is highly sophisticated, and more than 99.99% of the segments used are flawless. However, there is a possibility that less than 0.01% of these segments are defective and may not light up properly. These defective segments will not interfere with the picture.

TV monitor options

The TV/Video system can be installed with a variety of monitor options. The basic monitor options are:

- Front screen only
- Front screen only with video
- Front and rear screens with video
- Rear screens with video

All of these options are available with Navigation.

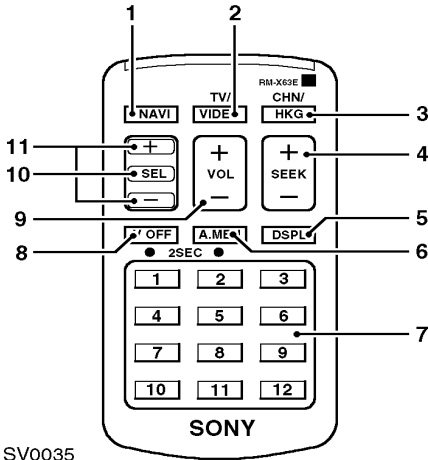
NOTE: A safety feature built into the handbrake, will switch the front screen from TV/Video to either Navigation (if fitted) or to a blank screen prior to the vehicle moving off. The rear screens will display their original selection.

WARNING

Do not attempt to apply the handbrake whilst the vehicle is moving as damage to the transmission and the braking system may occur.

TV/Video System

TV REMOTE CONTROL



SV0035

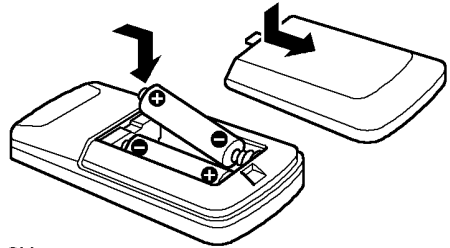
1. Navigation button (if fitted will display NAVI in red)
2. TV/Video button
3. China/Hong Kong button (Not used)
4. Seek button
5. Display button
6. Auto memory button
7. Programme number buttons
8. Visual/Off button
9. Volume button (Not used)
10. Select button
11. +/- button

NOTE: The volume is adjusted by using the volume control on the Audio system or on the headphones and not the remote control.

IMPORTANT INFORMATION

- Do not leave the handset near any heat sources, or in a place subject to direct sunlight.
- When parked in direct sunlight, place the handset in a shaded area such as the glove box to protect it from the heat.

Replacing the batteries



SV0043

Battery life is approximately six months depending on how often the remote is used. The batteries should be size AA (R6) x 2 off.

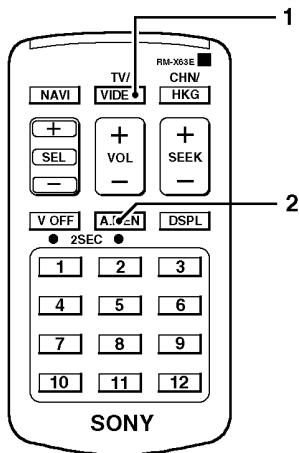
To avoid damage from battery leakage and subsequent corrosion:

- Insert the batteries matching the '+' and '-' on the batteries to the '+' and '-' in the battery compartment.
- Do not use an old battery with a new one, or different brands of batteries together.
- Remove the batteries when the unit is not being used for long periods of time.
- DO NOT charge the batteries.

If any battery leakage occurs, replace all the batteries with new ones after cleaning the battery compartment.

TV/Video System

STORING TV STATIONS



SV0036

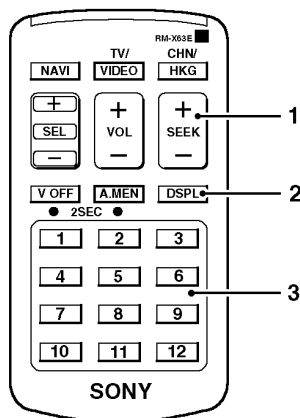
It is possible to store up to 12 TV stations. The stations are accessed via the number buttons.

TV stations are stored as follows:

- Switch on the TV/Video unit.
- Turn on a TV monitor.
- Press the **TV/VIDEO** button (1) until a TV programme appears on the display.
- Hold the **A.MEM** button (2) for two seconds to store the station

OPERATING THE TV

Viewing a TV station



SV0037

NOTE: When using the remote control, always aim it at the sensor mounted in the switch panel above the front screen.

- Switch on the TV/Video unit.
- Turn on the monitor(s) by pressing the **DISPLAY** button (2).
- Press the programme number buttons (3) to select the desired TV station.
- The TV programme number will appear for 5 seconds in the upper right corner of the display each time you select a station.

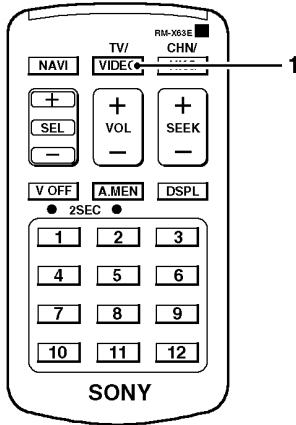
To search for a TV station:

- Press the **SEEK +/-** button (1)
- When a TV station is detected, scanning will stop.
- Press the button repeatedly until the desired station is reached.

To turn off the TV monitor(s) press the **DISPLAY** button (2).

TV/Video System

Viewing a Video



SV0038

The video system only plays back cassettes recorded in PAL format.

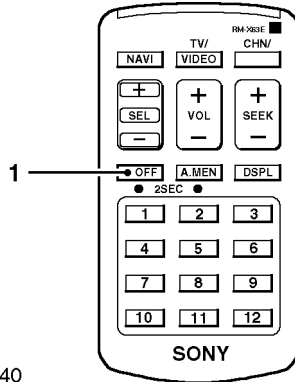
- Switch on the TV/Video unit.
- Press the **TV/VIDEO** button (1) to select either **VIDEO 1** or **VIDEO 2**, whichever input the player is connected to.
- Each time the button is pressed it will change in a rotational order as follows:
TV, VIDEO 1, VIDEO 2, TV
- Press the PLAY button on the video unit to begin playback.



SV0039

- The unit displays PAL in the upper left corner of the display for 5 seconds.

Listening to the TV/Video sound with the picture off



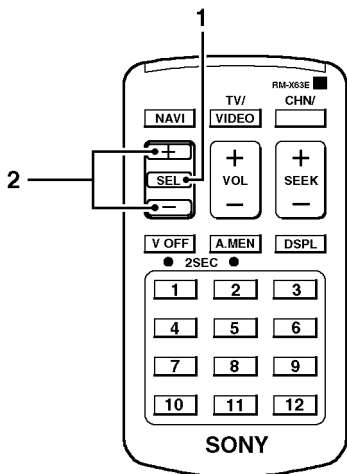
SV0040

- Press the **V OFF** button (1) for 2 seconds.
- The display will switch off, but the sound of the selected programme will still be heard.
- To cancel this function, press the **V OFF** button again.
- Alternatively the function is cancelled if one of the programme number buttons is pressed (TV mode only).

If the TV/Video system is switched off, or the starter switch is turned to position '0' the function will be cancelled automatically.

TV/Video System

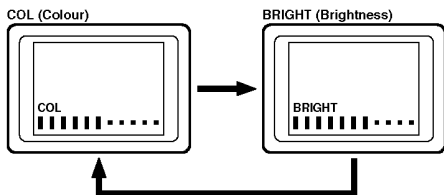
Adjusting the picture (rear screens only)



SV0041

You can adjust the colour and brightness of the picture as follows.

- Switch on the TV/Video unit.

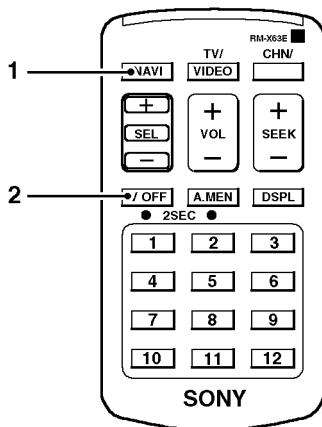


SV0041

- Press **SEL**, button (1). Each time the button is pressed the option changes.
- Press either the '+' or '-' buttons (2) to adjust the currently selected option.
- If no button is pressed within 5 seconds the function will cancel.

To restore the factory default settings, press and hold the **SEL** button for more than 2 seconds.

Viewing the Satellite Navigation system (If fitted)



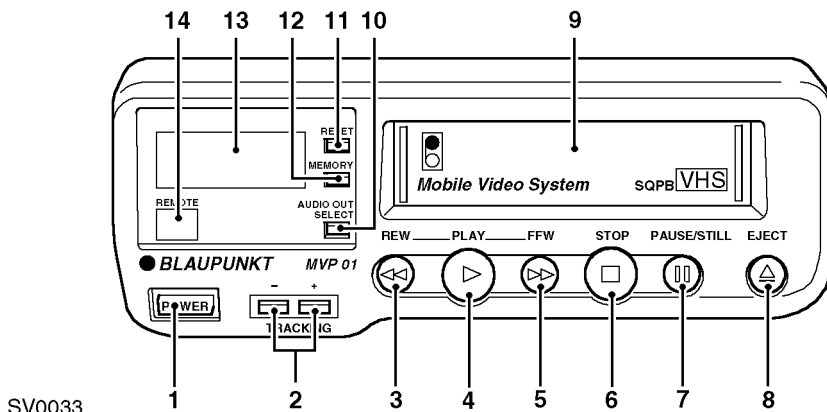
SV0047

Later versions with both TV/Video and Satellite Navigation systems fitted, the remote control can be used to view the Satellite Navigation system.

- Press the **NAVI** button (1) to switch all the screens to Satellite Navigation display. Press the **TV/VIDEO** button again to return the screens to TV/video. (The front screen will display Navigation only whilst the vehicle is moving).
- If the system is in **NAVI** mode with the handbrake on, press the **V OFF** button (2) to disable the rear screens and retain Navigation on the front screen.
- Press the **V OFF** button to disable all three screens (if fitted). When the handbrake is released prior to moving off, the front screen will return to Navigation and the rear screens will remain off.

TV/Video System

VIDEO CASSETTE RECORDER (VCR)



SV0033

1. Power
2. Tracking
3. Rewind
4. Play/x2
5. Fast forward
6. Stop
7. Pause/still
8. Eject
9. Cassette compartment
10. Audio out/select
11. Reset
12. Memory
13. Display
14. Remote - (If fitted)

Power

This switches the unit on and off

The unit switches on automatically and starts playback, if a cassette is inserted.

Tracking

This is to eliminate interference patterns and give the best picture quality available.

Press both the buttons together and auto tracking is operated.

Rewind

To rewind the tape, press **STOP** then the rewind button.

During playback the rewind feature can be used to search the picture while the tape is still playing (the sound will be muted).

To resume normal playback, press the **PLAY** button.

Play/x2

This will play the tape in normal mode (Playback)

Press the button twice, 'playback' will approximately double in speed.

To resume 'playback', press the **PLAY** button.

The tape will automatically rewind at the end of the tape.

TV/Video System

Fast forward

To fast forward press **STOP** then the fast forward button.

During playback the fast forward feature can be used to search the picture while the tape is still playing (the sound will be muted).

To resume "playback", press the **PLAY** button.

Stop

Stops the tape from playing.

Pause/still

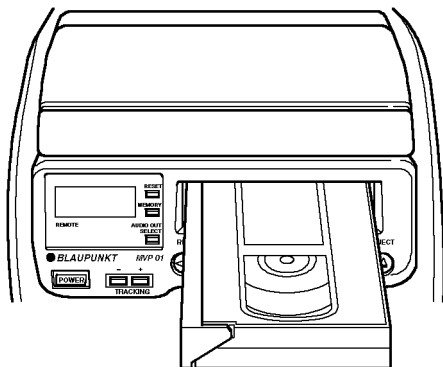
The tape is held in a motionless state. (after 5 minutes the unit switches over to stop).

To resume normal playback, press the **PLAY** button.

Eject

The cassette is ejected

Cassette compartment



SV0034

Insert the tape as shown in illustration.

Audio out select

This gives the user a choice of audio track: HiFi L+R; HiFi L; HiFi R - If there is no indication then normal audio tracking is in use.

Reset

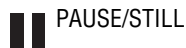
To reset the tape counter back to "0:00.00".

Memory

When pressed along with the RESET button, the memory will store the current tape position. The cassette will then stop winding (during either fast forwarding or rewinding) when the tape reaches the stored position.

Display

Indicates the currently selected video function.



'D' indicates high humidity.

TV/Video System

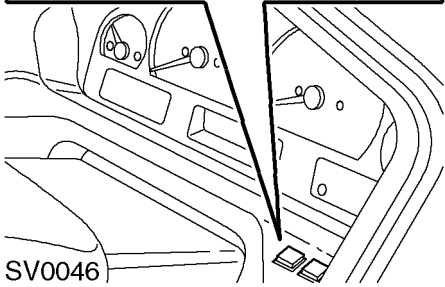
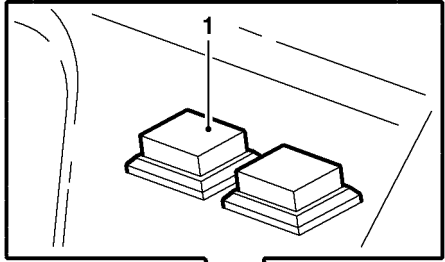
HEADPHONES

SV0031



The headphones switch on automatically by means of a sensor when placed on to the head. When the headset is removed it will switch off automatically.

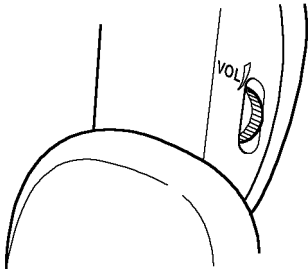
NOTE: On earlier vehicles the headphones have a built in switch to turn them on and off.



SV0046

A privacy switch (1) located on the instrument binnacle when activated, isolates the TV/Video sound inside the vehicle to the headphones only, leaving the front seat passengers free to listen to the radio, cassette player or compact disc player.

SV0032



Rotate the thumbwheel switch on the headphones to adjust the volume.

TV/Video System

TROUBLE SHOOTING

Problem	Cause/Solution
No picture, no sound	<ul style="list-style-type: none">• The power cord or battery has been disconnected.• The fuse has blown• Press TV/VIDEO button• Low battery voltage
Good picture, but no sound	<ul style="list-style-type: none">• Check volume on radio.• Check sound ON/OFF switch.• Check headphones.• Check that TV is set on China/Hongkong• Check that radio is tuned to 88.3 MHz
Dotted lines or stripes in TV mode	<ul style="list-style-type: none">• This may be caused by local interference such as a car engine or motorcycle. Adjust the antennas for minimum interference.
Dotted lines or stripes in video mode	<ul style="list-style-type: none">• Adjust tracking on video
The picture is blurred, or has double images or ghosts	<ul style="list-style-type: none">• Connect the antennas securely. This may be caused by reflections from nearby mountains or buildings.• Check that roof antenna (if fitted) is at 45° for optimum reception
Cannot select a channel or cannot view a TV program	<ul style="list-style-type: none">• Press TV/VIDEO and select the TV mode.• The remote handset batteries may be exhausted.• Press the A.MEM button for 2 seconds.• Infra-red sensor may be obscured.
Good sound but no picture	<ul style="list-style-type: none">• The visual off function is working, press V OFF• Check the tracking if in video mode
No response when pressing buttons on the remote handset	<ul style="list-style-type: none">• The remote handset batteries may be exhausted• Ensure that the sensor is not obstructed.

TV/Video System

FUSE REPLACEMENT

WARNING

Never use a fuse with an amperage rating exceeding the one supplied with the unit as this could damage the unit.

The system uses the Trailer socket fuse of the vehicle. If failure of the system happens and the fuse is responsible it will be relayed via the message centre.

When replacing the fuse, be sure to use one that matches the amperage described on the original fuse. If the fuse blows, check the power connection and replace the fuse. If the fuse blows again after replacement, there may be an internal malfunction. In such a case, consult your nearest Land Rover dealer.

LOW VOLTAGE

The TV/Video System is fitted with a battery protector. Should the vehicle's voltage drop below a preset voltage the system will automatically shut off in order to protect the vehicle's battery.